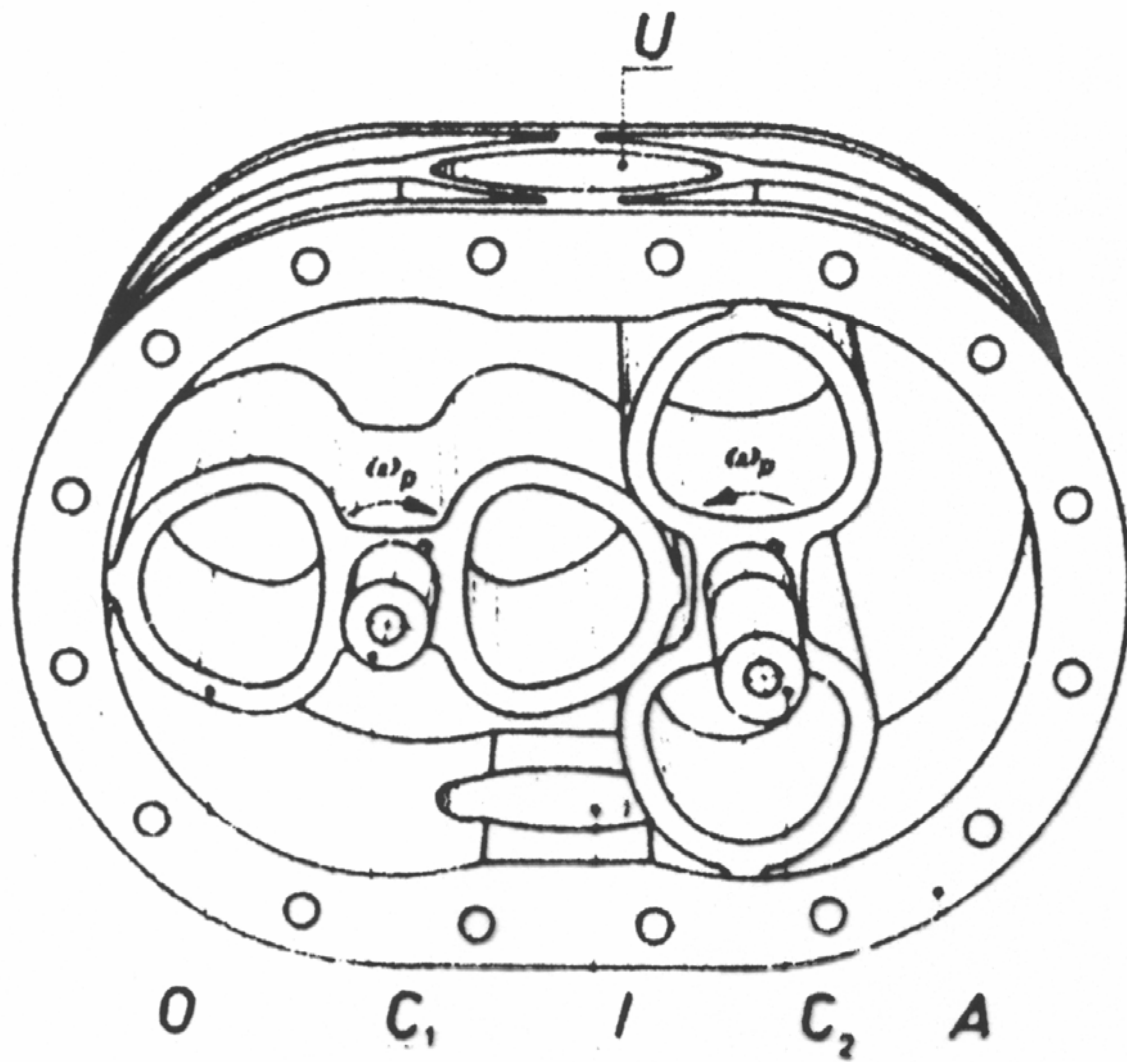
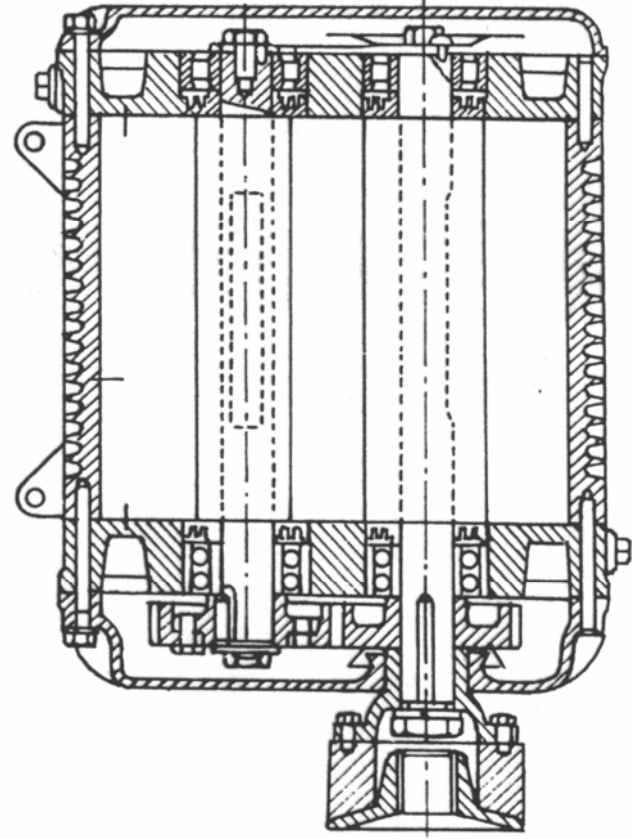
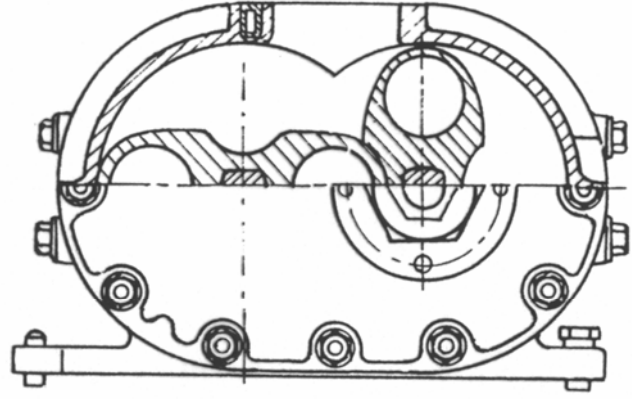
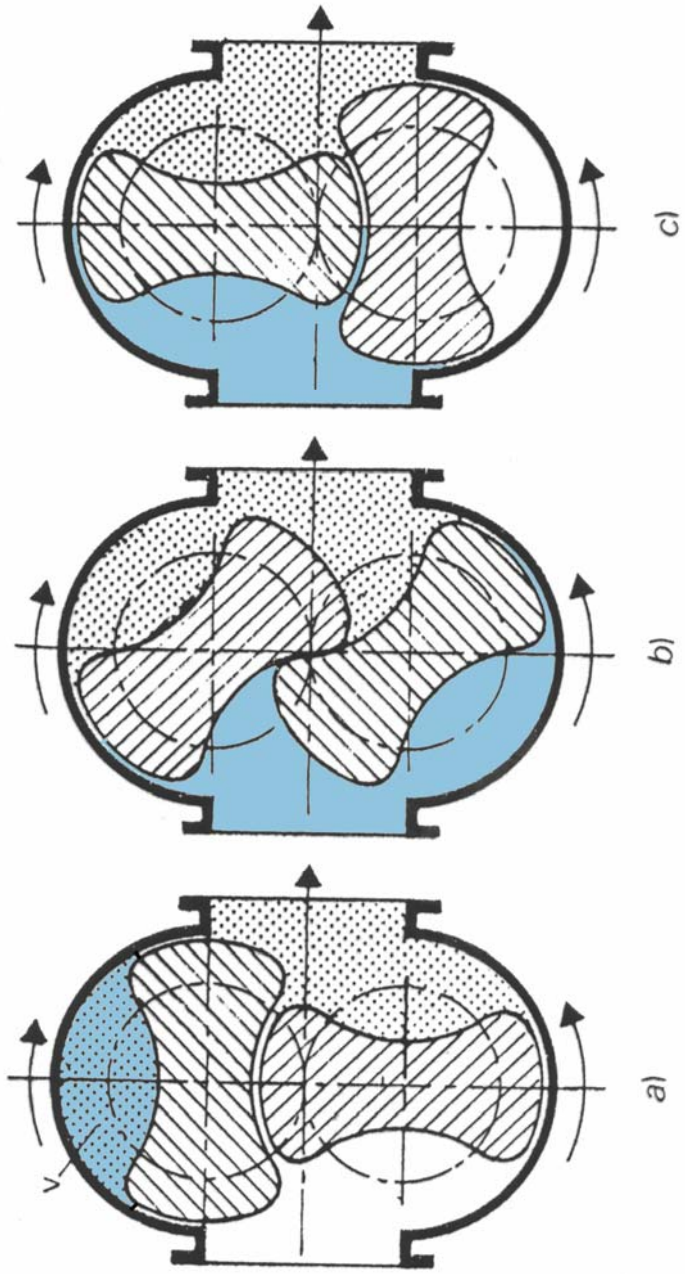
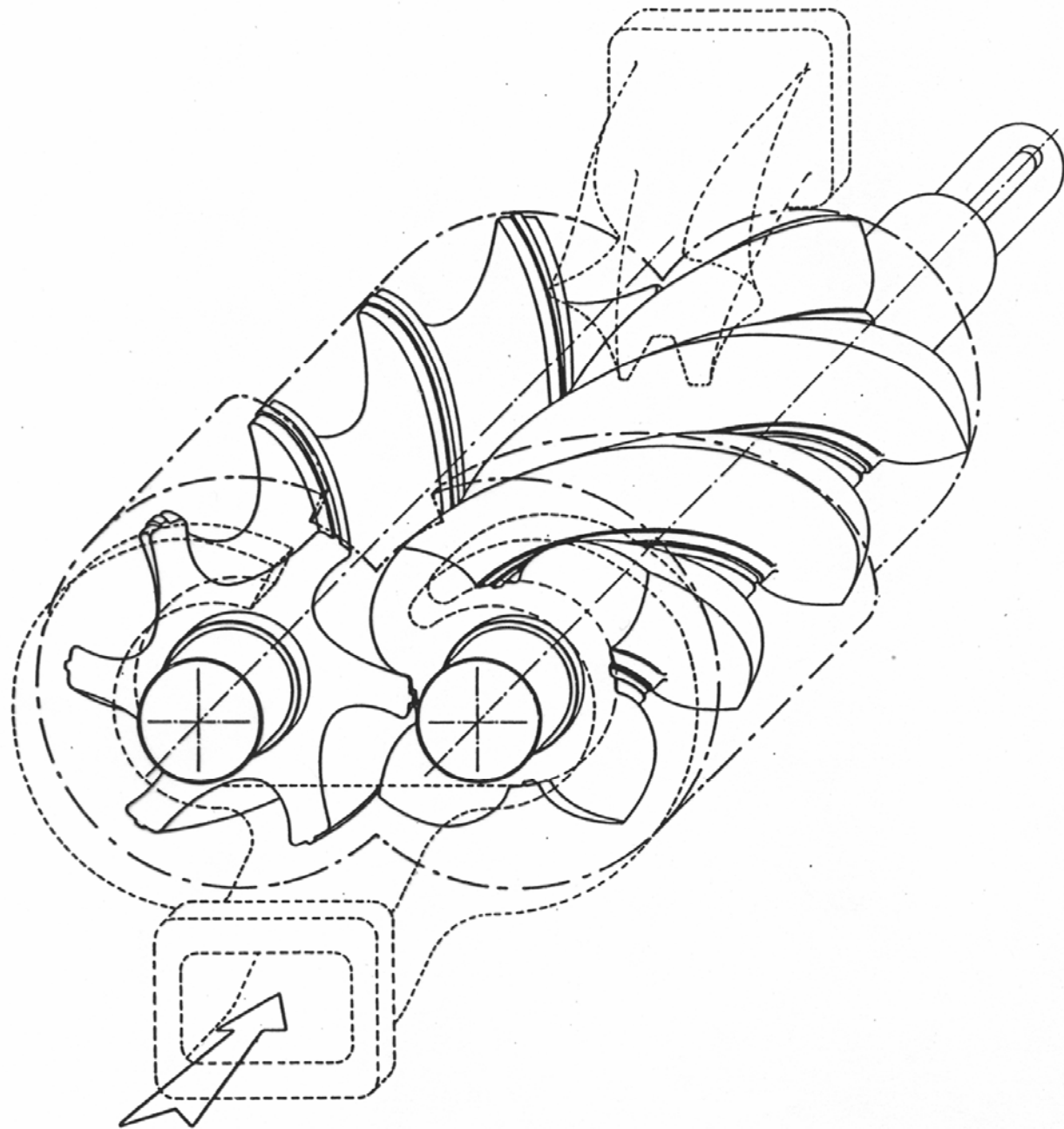


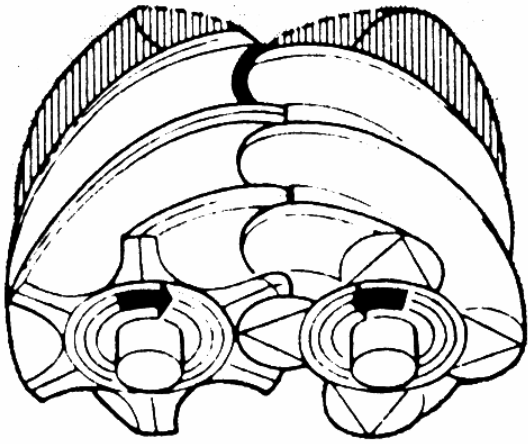
# *Lezione 37*

CVR

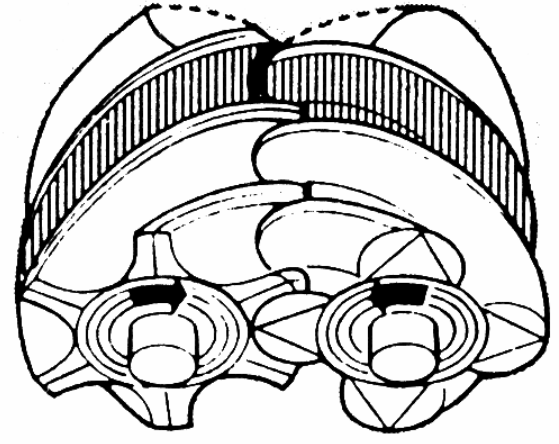




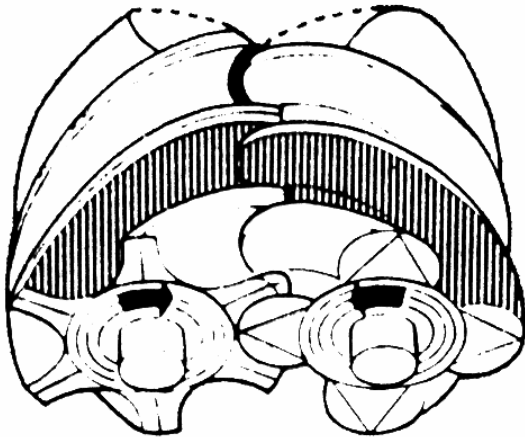




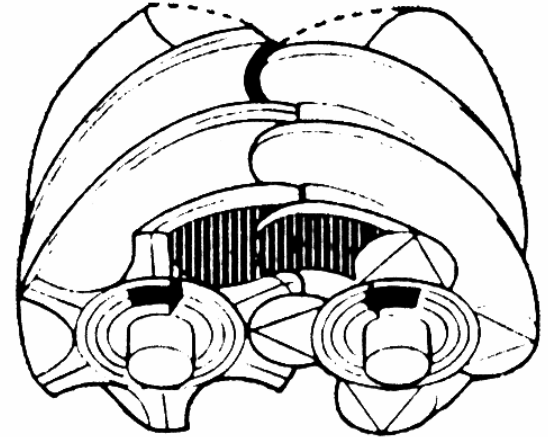
1



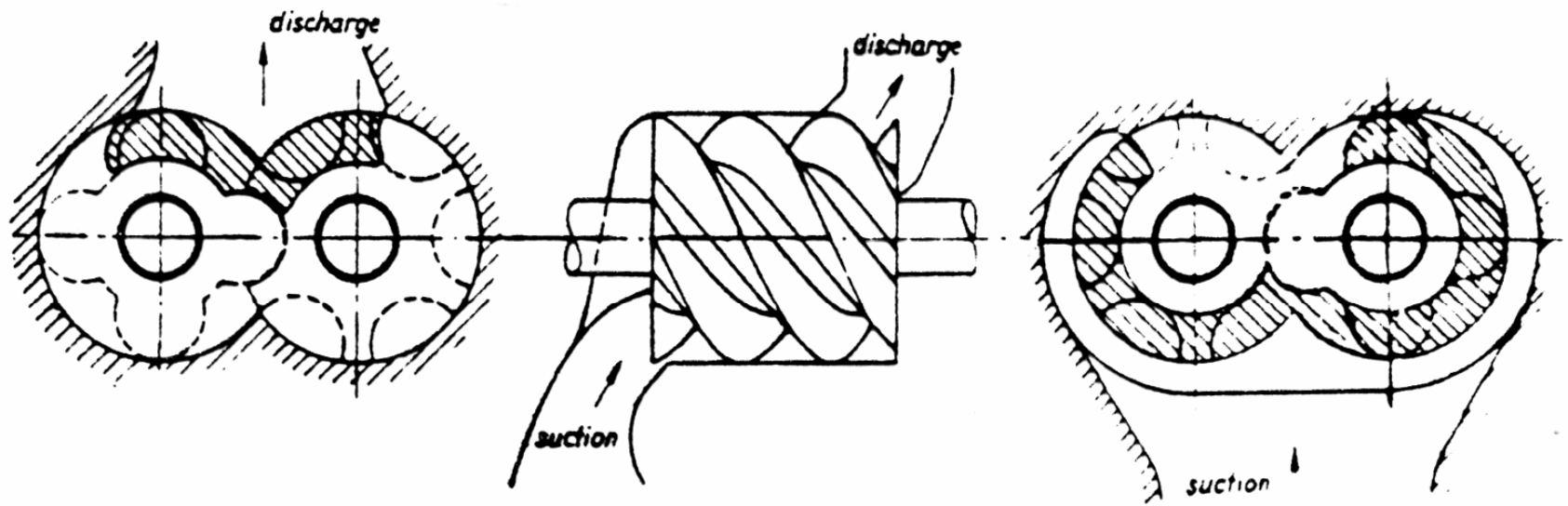
2



3



4



**Suction and discharge ports of a screw compressor (Aerzener Maschinenfabrik, GFR)**

